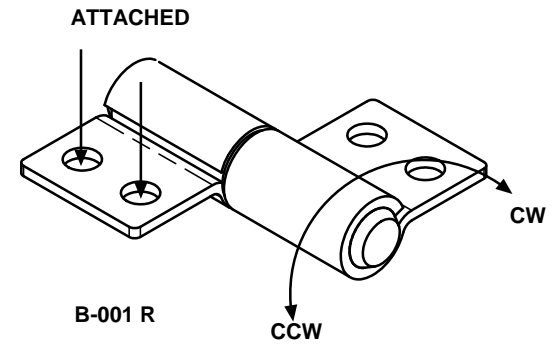
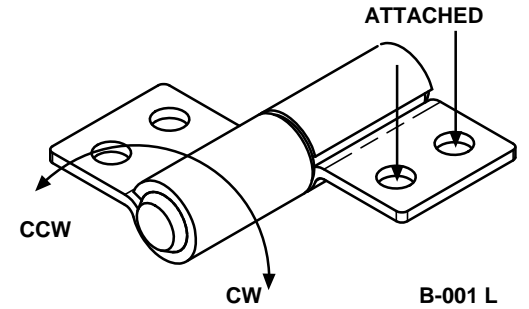
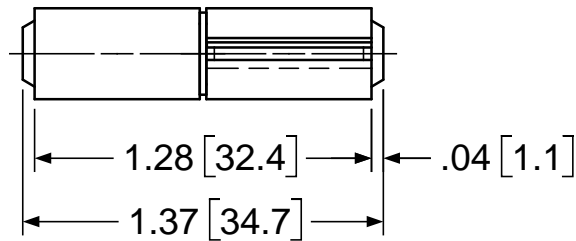
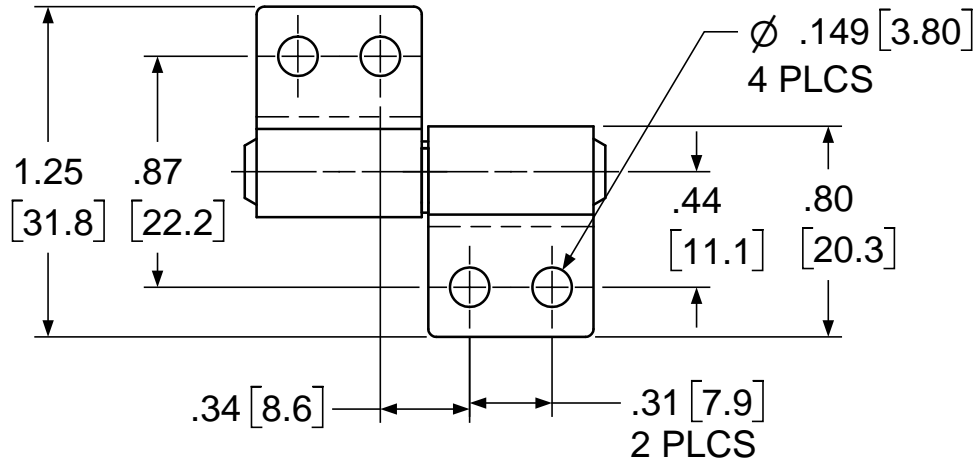
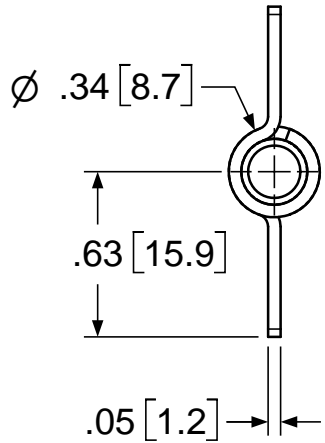


REVISION RECORD			
REV	DESCRIPTION	DATE	APPD



<b>SHINELOT</b>		TITLE				<b>INTERFACE DRAWING</b>	
		ALL INFORMATION ON THIS PRINT ARE PROPRIETARY TO SHINELOT, AND SHALL NOT BE USED IN WHOLE OR IN PART WITHOUT SHINELOT'S CONSENT.		<b>ENGLISH / METRIC TOLERANCES</b>		MATERIAL <b>STEEL BAND &amp; SHAFT</b>	
		<b>METRIC</b> .X $\pm$ .3 MM .XX $\pm$ .13 MM .XXX $\pm$ .005 MM	<b>ENGLISH</b> .XX $\pm$ .015 IN .XXX $\pm$ .005 IN .XXXX $\pm$ .0002 IN	SIZE <b>B</b>	DWG NO <b>B-001</b>	REV <b>0.0</b>	
USED ON	REV	ANGLE $\pm$ 1°		SCALE	<b>2:1</b>	DATE SHEET OF <b>1</b>	